

DEA

100% MADE IN ITALY



24V

LIVI 502

Gates to 3m

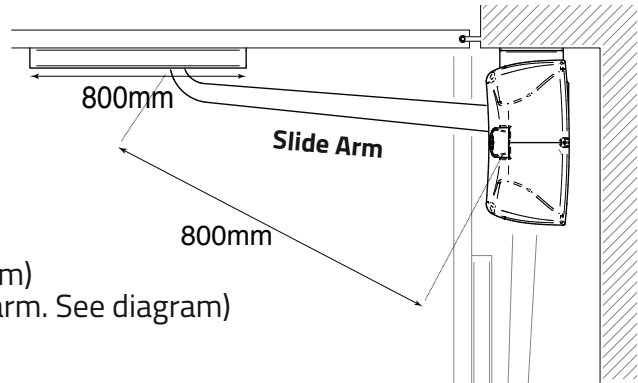
PWR OPTIONS

- Power at the gate
- External Transformer
- Solar



ASK ABOUT CUSTOM KITS.

ACCESSORIES



SLIDE ARM

2m max. gate leaf
 AAC-629110 (left arm)
 AAC-629120 (right arm. See diagram)

ARM OPTIONS

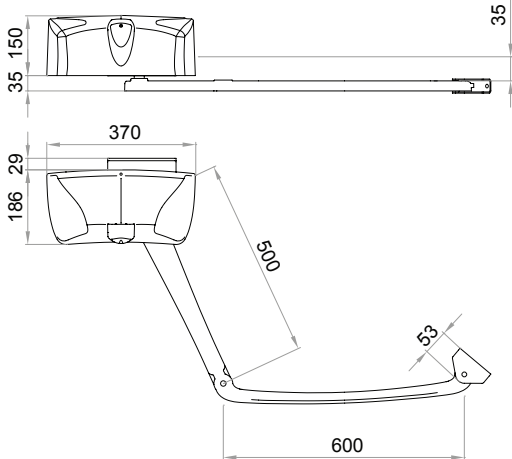
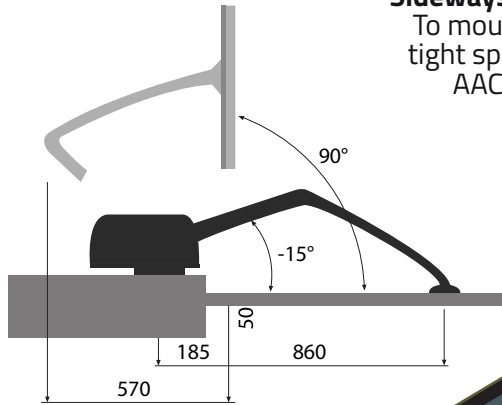
STEEL ARM
 AAC-629140



ALUMINIUM ARM
 AAC-629130

Sideways-mount Plate

To mount Livi502 in tight spaces (above).
 AAC-380950



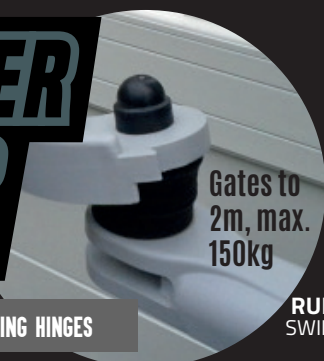
Available from **Downee**

TECH SPEC

MOTOR		24V
Motor Voltage	V	24 (DC)
Motor Power	W	80
Duty Cycle	%	35
Opening Per Hour		35
Opening Time to 90°	Sec	10
Max. Torque	Nm	180
Manufacturers Rating	kg	400
Protection Degree	IP	44
Dimensions (H-W-D)	mm	See drawing
Motor Weight	kg	13.2
Working Temperature	°C	-20° + 50°
Max. gate length	m	3
REMOTE		
Remote	4 Channel	Rolling Codes

CONTROL BOARD		
Control Board		NET24N
Input Power	V	24(AC)

RUBBER RISER FLEXIBLE ELBOW



Gates to 2m, max.
 150kg

USE WITH GATES ON RISING HINGES

RUBER RISER
 SWINGER-RISER